
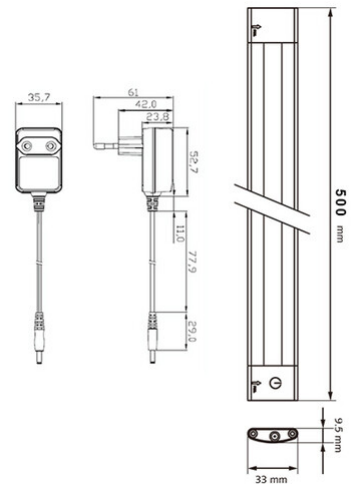


Blade

Code	6725-04-092
Type	Undershelves
Designer	S.T. Fabas Luce
Eancode	8019282066040
Customs tariff	94054239
Color	White
Material	Aluminum frame and polycarbonate
IP	IP40
Insulation Class	 CL3
Item Dimensions	500x33x9.5mm - 0.28kg
Packaging Dimensions	660x100x40mm - 0.38kg
Light Source 1	
Light source	Built-in
Power Pack Type	Touch dimmer
Item Lumen	490 lm
Color Temperature	Natural white 4000 K
Electrical specifications 1	
Input Voltage	230V AC 50Hz



CE